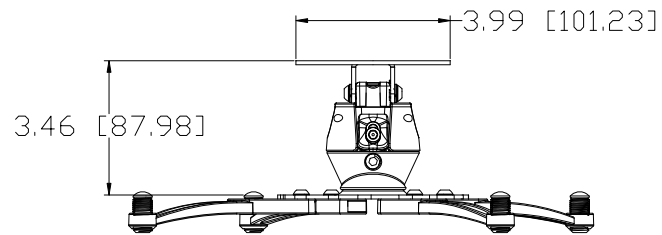
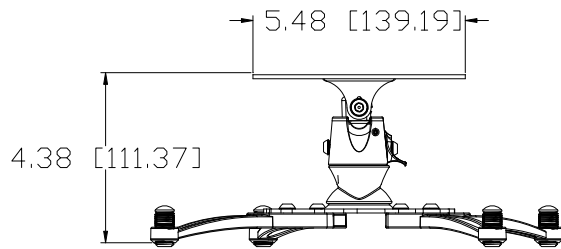
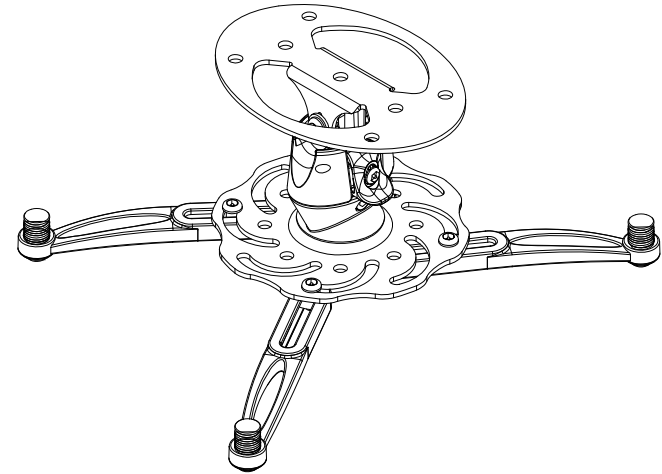
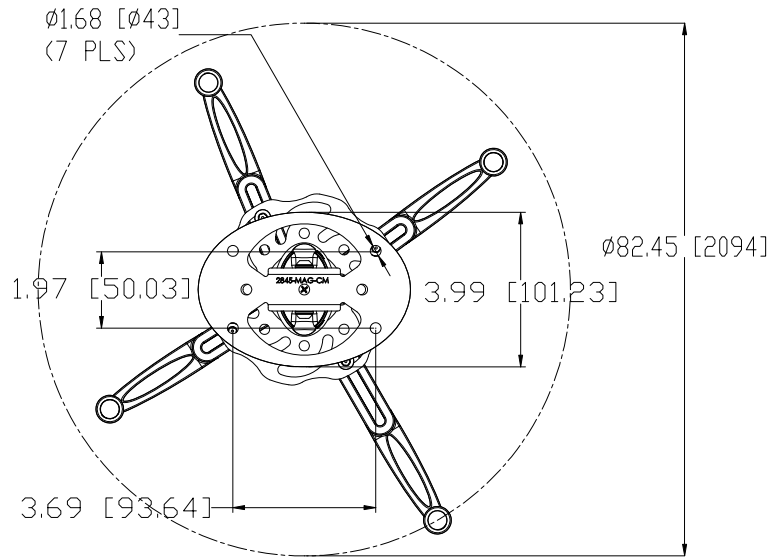


8 7 6 5 4 3 2 1

THE INFORMATION CONTAINED IN THIS DRAWING IS THE SOLE PROPERTY OF PREMIER MOUNTS (OR PMPI). ANY REPRODUCTION PART, OR WHOLE, WITHOUT THE WRITTEN PERMISSION OF PREMIER MOUNTS (OR PMPI) IS PROHIBITED

REV.		DESCRIPTION	DATE	APPROVED



Architectural Specifications

The projector mount will be a Premier Mounts MAG, or equivalent, and can be used to mount projectors from the ceiling. It will be made of cold-rolled steel. It will incorporate security screws (optional) at all mounting and adjustment points. This is a universal projector mount, allowing use with almost all projectors. Assembly and installation will be performed according to the instructions provided by the manufacturer.

Surface Types - Ceiling
 Weight Capacity - 25Lbs.
 Dimensions - 5.48' x 4.38'
 Attachment - Wood Screws and Concrete Anchors

8 7 6 5 4 3 2 1